

7-085 Quarter-Turn with Wing Pr20.1 L18

Hand operable, IP65, Stainless Steel, Padlockable, Optional pre-assembly

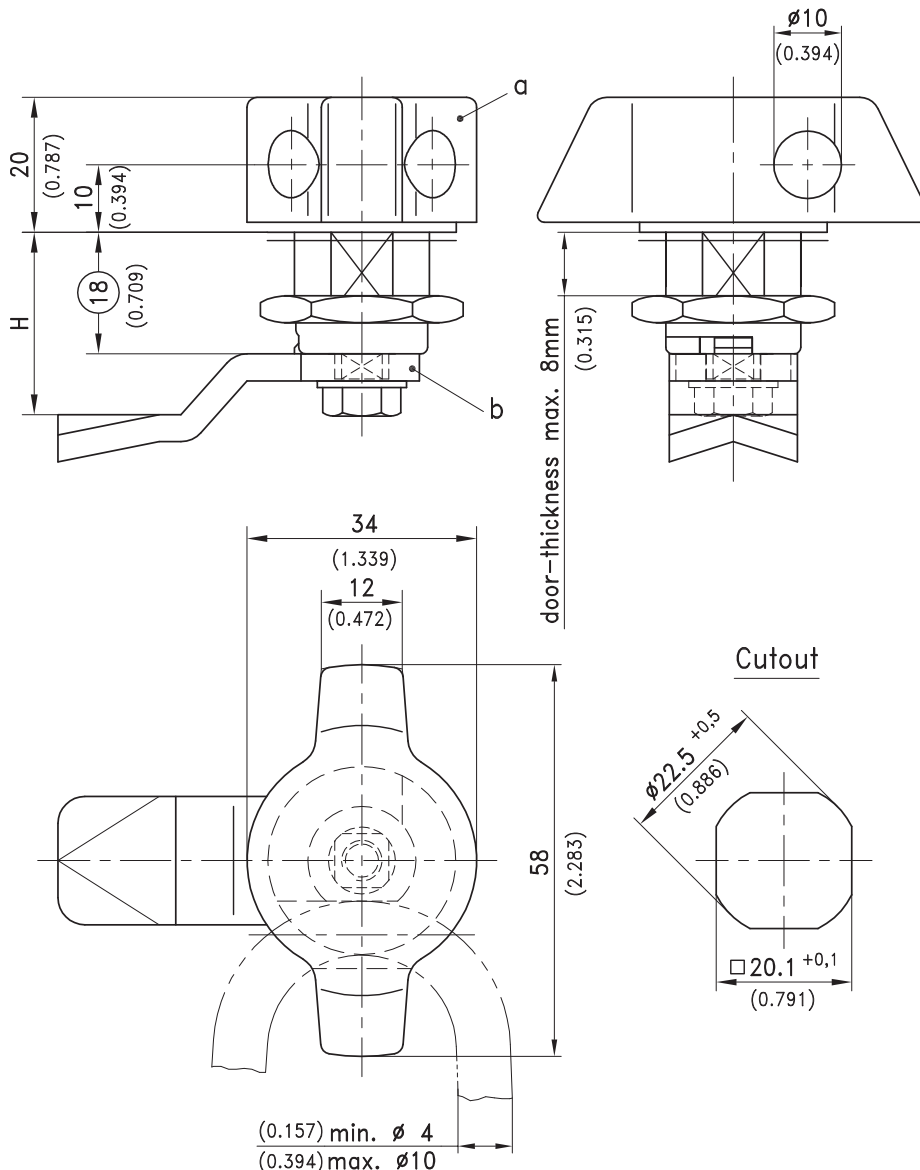
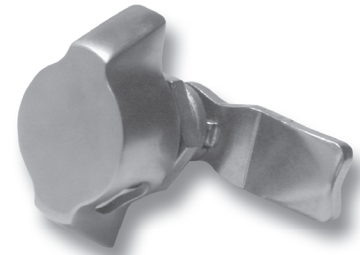


Product Notes:

- RH and LH application
- Water and dust tight according to IP65, DIN EN 60529
- Quarter-Turn consists of two components which are combined to fit application
- Pre-assembled Quarter-Turn can be installed in cutout

Material:

- **Wing:** Stainless Steel AISI 316, Surface Polished
- **Housing, nut and cam:** Stainless Steel



	Part No.	See Page
a) Quarter-turn with wing with nut	200-9375	
b) Cams		01.24, 01.101, 01.102, 03.42
Optional:		
c) Assembling cam 90° to handle without O-ring	200-0019	
Assembling cam for left door	200-0020	